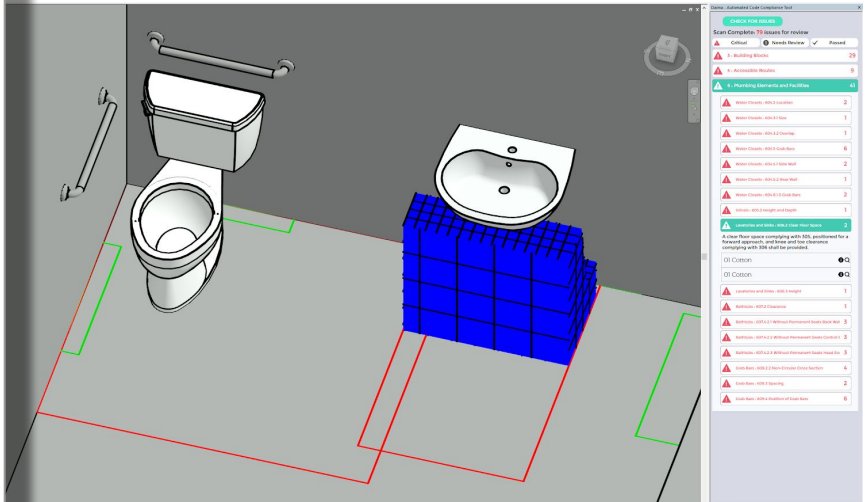
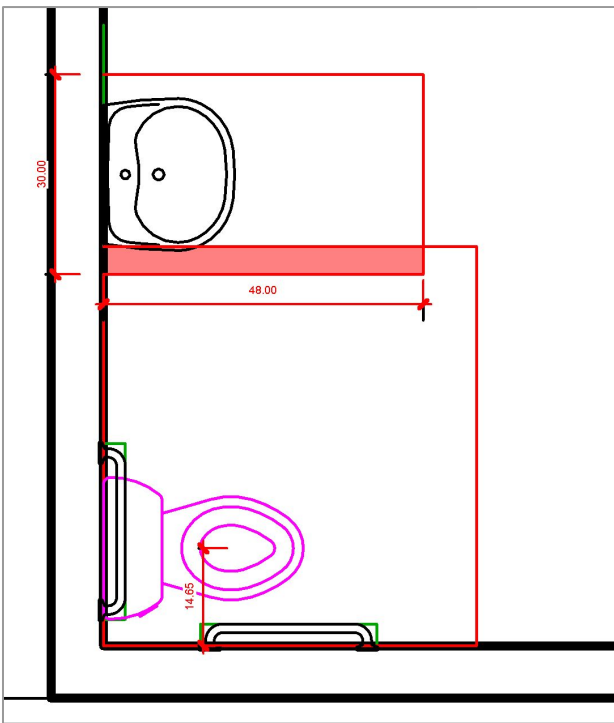


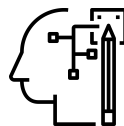
Find issues before the planning department does

Daima is a Revit plug-in that identifies code violations in real time, reducing costly delays



Untangle Complexity

Snarled building codes and complex models mean something will be missed. Daima checks every object in your model against code manuals.



Stay Focused

All scans happen inside Revit, as you're designing. Find an area of non-compliance? Daima jumps you directly to the referenced code.



Keep the Creativity

Counting parking spaces or square footage interrupts your flow. Stay on your creative plane, the math is done for you.